

PU-Series, Economy Electric Pumps

▼ Shown: PUJ-1200E



- Lightweight and compact design: 11,8 to 18,6 kg
- Large easy-carry handle for maximum portability
- Two-speed operation reduces cycle times for improved productivity
- 230 VAC 50/60-cycle universal motor will operate under poor voltage supply
- 24 VAC remote motor control, 3 m length for operator safety
- Starts under full load
- High strength molded shroud, with integral handle, protects motor from contamination and damage.

▼ An Economy pump PUJ-1200E is used with an RC-2514 to reposition a stamping die to simplify maintenance.



Heavy on Performance, Light on Weight



Gauges

Minimize the risk of overloading and ensure long, dependable service from your equipment. For use with the Economy pump the **G-2535L** gauge and **GA-3** gauge adaptor are suggested.

For a full range of gauges, please refer to the System Components section.

Page: 128



Hoses

Enerpac offers a complete line of high quality hydraulic hoses. To ensure the integrity of your system, specify only genuine Enerpac hydraulic hoses.

Page: 120



Speed Chart

To determine how a specific pump will operate your cylinder, see the Pump-Cylinder Speed Chart in the 'Yellow Pages'.

Page: 249

Pump Type (Used with cylinder)	Usable Oil Capacity (litres)	Model Number*	Pressure Rating (bar)	
			1 st stage	2 nd stage
Single-Acting	1,9	PUD-1100E	13	700
	3,8	PUD-1101E	13	700
	1,9	PUJ-1200E	13	700
	3,8	PUJ-1201E	13	700
	1,9	PUD-1300E	13	700
	3,8	PUD-1301E	13	700
Double-Acting	1,9	PUJ-1400E	13	700
	3,8	PUJ-1401E	13	700

* For 115 volt applications replace 'E' suffix with 'B'.

** Electric dump valve for auto-retract of cylinders.

Economy Electric Pumps



About the Economy Pump

The Economy pump is best suited to power small to medium size cylinders or hydraulic tools. Its lightweight and compact design make it ideal for applications which require easy transport of the pump. The universal motor works well on long extension cords or generator-driven electrical power supplies.

For further application assistance refer to the 'Yellow Pages'.

PUD-1100 Series

- Provides advance-retract of single-acting cylinders
- Ideal for punching applications
- For applications not requiring load holding
- 3 m pendant controls motor and valve operation.

PUD-1300 Series

- Provides advance-hold-retract of single-acting cylinders
- Ideal for applications requiring load-holding
- For applications requiring remote valve operations
- 3 m pendant controls motor and valve operation.

PUJ Series

- Manual valves provide advance-hold-retract tool operation
- Available with 3- and 4-way valves for single or double-acting cylinders
- 3 m pendant controls the motor operation.



Page: 239

PU Series



Reservoir Capacity:

1,9 - 3,8 litres

Flow at Rated Pressure:

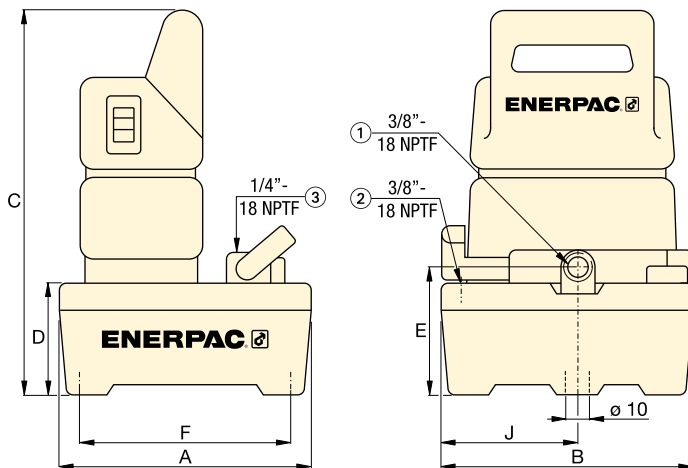
0,32 l/min

Motor Size:

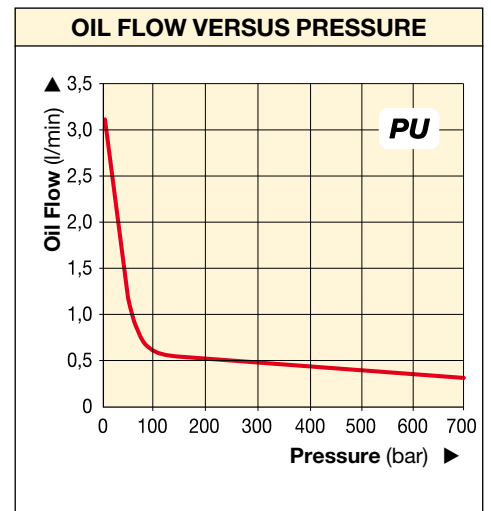
0,37 kW

Maximum Operating Pressure:

700 bar



- ① Oil Outlet Port
- ② Tank Port
- ③ Gauge Port (PUJ-1200 and PUJ-1201 only)



Output Flow Rate (l/min)		Valve Type	Valve Function	Current Draw (Amps)	Motor Voltage (VAC)	Sound Level (dBA)	Dimensions (mm)						Weight (kg)	Model Number *	
1st stage	2nd stage						A	B	C	D	E	F			J
3,31	0,32	Dump**	Advance/Retract	3,2	230	85	244	244	362	101	119	203	133	11,8	PUD-1100E
3,31	0,32			3,2	230	85	368	309	373	105	130	323	142	17,2	PUD-1101E
3,31	0,32	3/2 manual	Advance/ Hold/Retract	3,2	230	85	244	244	362	101	119	203	133	10,0	PUJ-1200E
3,31	0,32			3,2	230	85	368	309	373	105	130	323	142	15,4	PUJ-1201E
3,31	0,32	3/2 solenoid	Advance/ Hold/Retract	3,2	230	85	244	244	362	101	119	203	133	12,0	PUD-1300E
3,31	0,32			3,2	230	85	368	309	373	105	130	323	142	17,5	PUD-1301E
3,31	0,32	4/3 manual	Advance/ Hold/Retract	3,2	230	85	244	244	362	101	119	203	133	13,2	PUJ-1400E
3,31	0,32			3,2	230	85	368	309	373	105	130	323	142	18,6	PUJ-1401E